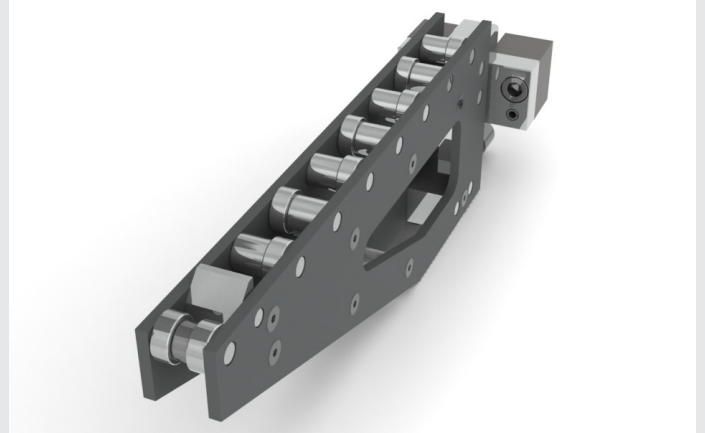


Removable bolster extension CSL

Specifications

- Screwed construction with aluminium bolster sides
- Hardened steel rollers on friction pads
- Retractable stopper provides a fall safety mechanism for the die
- Extension positioned manually
- Especially adapted for manual die positioning
- Horizontal and vertical adjustment
- Manufactured to order with special dimensions



Specifications and dimensions

	CSL 1000	CSL 3000	CSL 3000
P (kg)	1000	3000	3000
L	500	800	1000
A	560	880	1080
H	170	320	460
Ø D	30	40	40
N	9	14	16
E	52	60	60

P [kg]: Authorised dynamic load for a pair of extensions.

All dimensions are in millimeters.

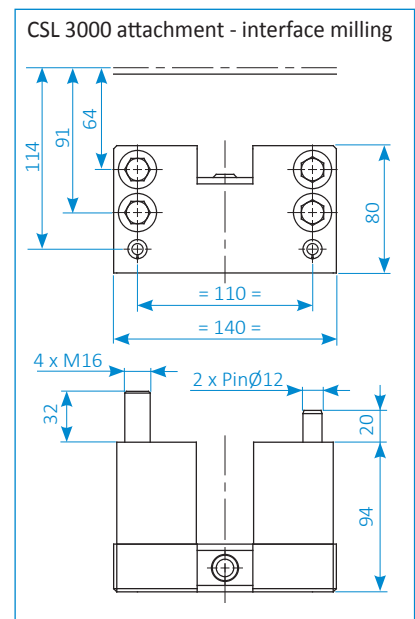
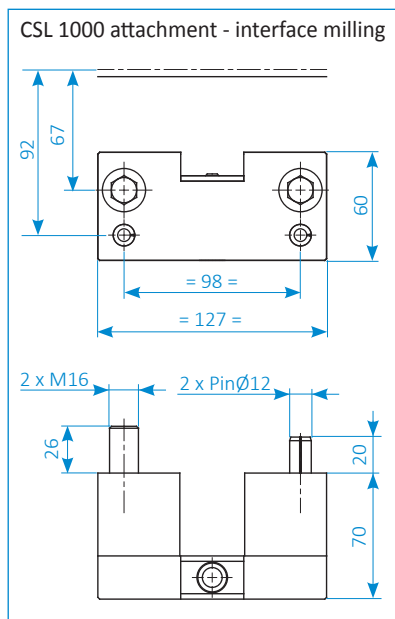
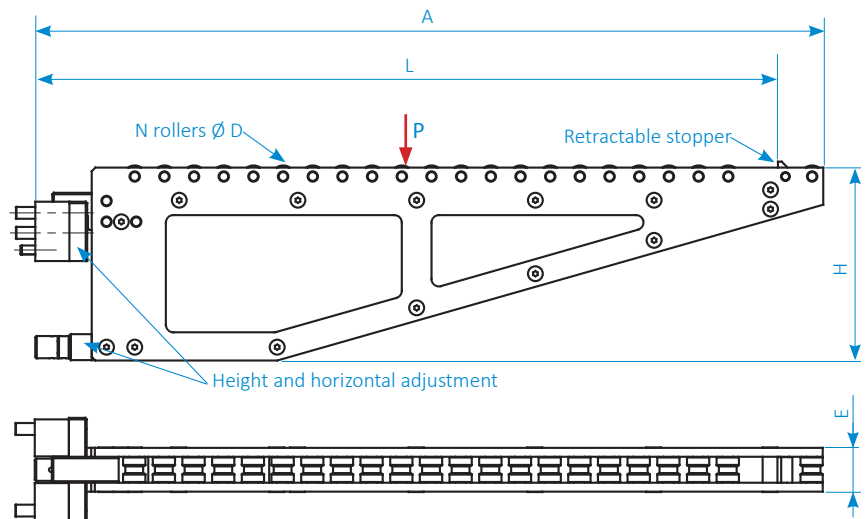
If ball or roller bars are used, the layout heights (67, 92 and 64, 91, 114 on the attachment) are given relative to the tops of the balls or rollers in the raised position.

The location and height of the attachment are designed to leave access to a size T28 DIN 650 slot along the axis.

Purchase order reference

CSL P (kg) - L (mm) - S
 ↑ load ↑ length ↑ special dimension

Example : CSL 1000- 500



SERAPID France
+33 (0)2 32 06 35 60
info-fr@serapid.com

SERAPID Deutschland GmbH
+49 (0)7931 96 47-0
info-de@serapid.com

SERAPID Ltd
+44 (0)1359 233335
info-uk@serapid.com

SERAPID INC.
+1 586 274 0774
info-us@serapid.com