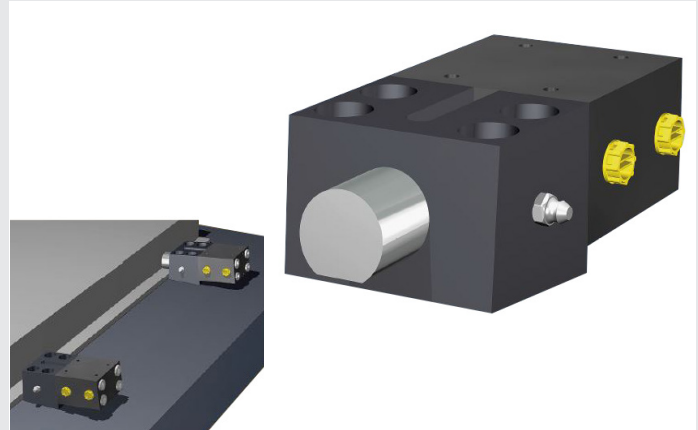


Wedge clamp TBHI

Hydraulically operated
15-100 kN | 4 models

Specifications

- Horizontal clamping surface
- Wedge clamp
- Hydraulic clamping and release
- Standard working temperature of up to 60 °C, 160 °C with Viton seals



static removable bolster ram hydraulic single-acting hydraulic double-acting mechanical automatic

TBHI clamps are double-acting for use on bolsters or rams. The clamping and release force is provided by hydraulic pressure.

Important information : this clamp is not for use in applications subject to high impacts such as forges due to the risk of jamming. Use the TBHS model (see technical sheet G080-03).

Specifications and dimensions

	TBHI 15	TBHI 25	TBHI 55	TBHI 100
clamping force (kN)	15	25	55	100
weight (kg)	2,2	3	7,6	12
oil volume (cm ³)	7	10	31	45
max flow rate (l/min)	0,5	0,85	1,75	2,5
opening pressure (P2) (bar)	160	160	160	160
clamping pressure (Pn) (bar)	70	70	70	70
A	129	129	184	200
B	65	72	96	18
C	10	10	10	14
D	43	50	65	84
E	13	13	16	19
X	25	25	30	30
G	38	38	46	58
H	40	49	74	88
I	53	62	93	107
J	74	84	110	132
K	180	180	238	255
L	51	51	70	85
N	8	8	12	12
O	M10	M10	M16	M20
Q	1/8"	1/8"	1/4"	1/4"
R	61	61	95	106

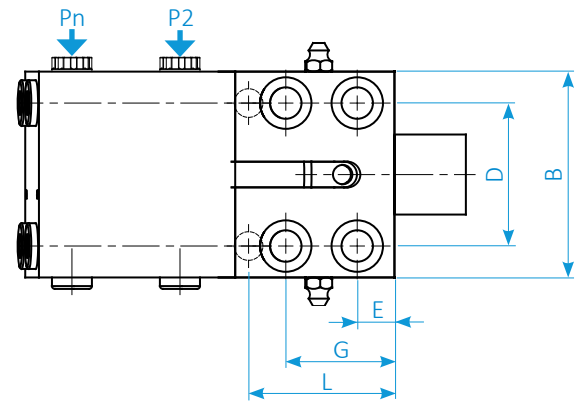
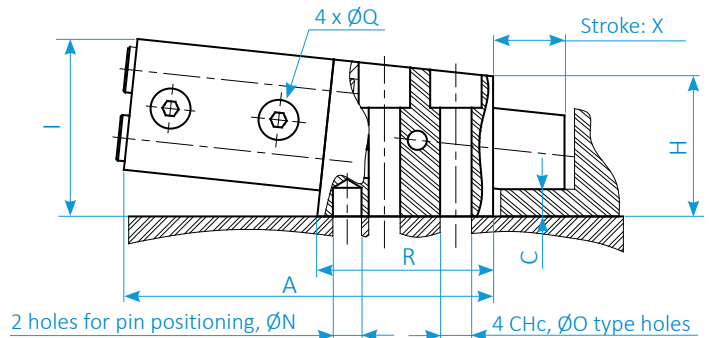
All dimensions are in millimeters.

Purchase order reference

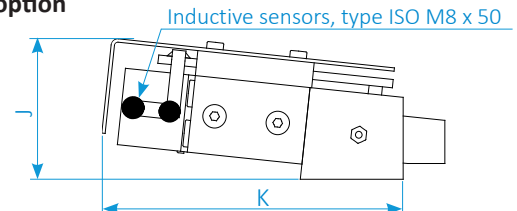
TBHI - xx - DET - Z - V - S → for specific dimensions (attach a drawing)

↑ for models with sensors
 ↑ clamping force in (kN)
 ↑ hydraulic connection dimension
 ↑ Viton seals

Example : TBHI 25- G1/4", TBHI 55 DET- G1/4"- V



Detection option (DET)



Options

- 2 inductive sensors, Type ISO M8 x 50 for position checking.
- Adapter block for standard heights.
- Viton seals for high temperatures up to 160°.
- Hydraulic connection UNF 7/ 16" (TBHI 15, 25) respectively UNF 9/ 16" (TBHI 55, 100).

SERAPID France
+33 (0)2 32 06 35 60
info-fr@serapid.com

SERAPID Deutschland GmbH
+49 (0)7931 96 47-0
info-de@serapid.com

SERAPID Ltd
+44 (0)1359 233335
info-uk@serapid.com

SERAPID INC.
+1 586 274 0774
info-us@serapid.com