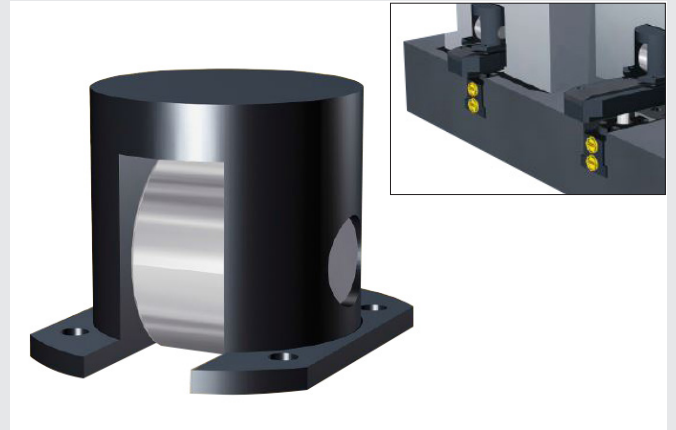


GP 45 load bearing roller

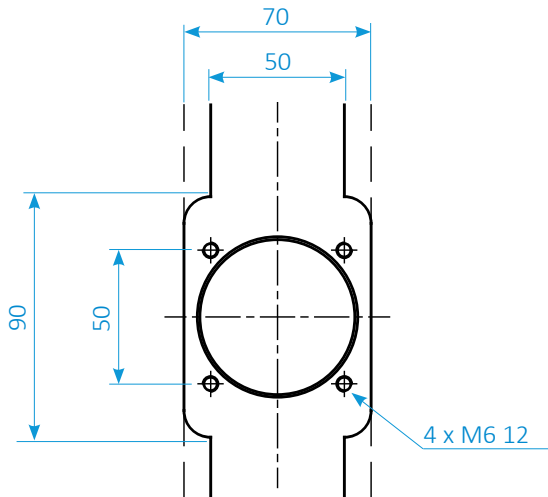
Mounted on the die | adaptable onto LSHP bar clamps

Load capacity

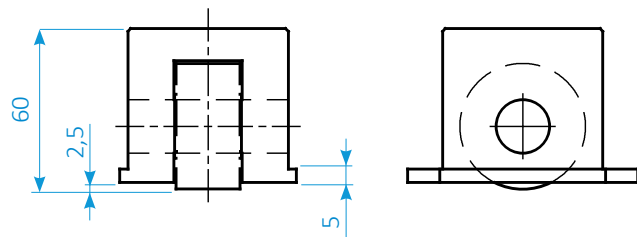
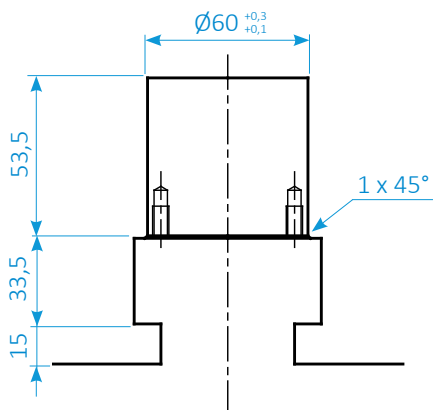
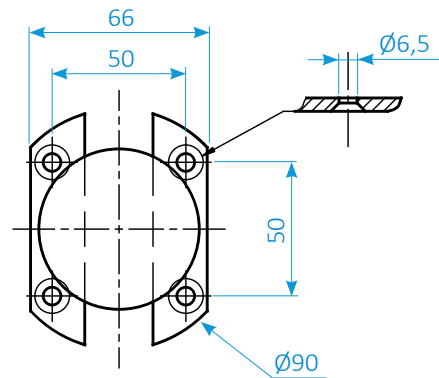
- 45 kN static
- 35 kN dynamic



Housing size :



Dimensions of the GP 45 load bearing roller :



All dimensions are in millimeters.

SERAPID France
+33 (0)2 32 06 35 60
info-fr@serapid.com

SERAPID Deutschland GmbH
+49 (0)7931 96 47-0
info-de@serapid.com

SERAPID Ltd
+44 (0)1359 233335
info-uk@serapid.com

SERAPID INC.
+1 586 274 0774
info-us@serapid.com