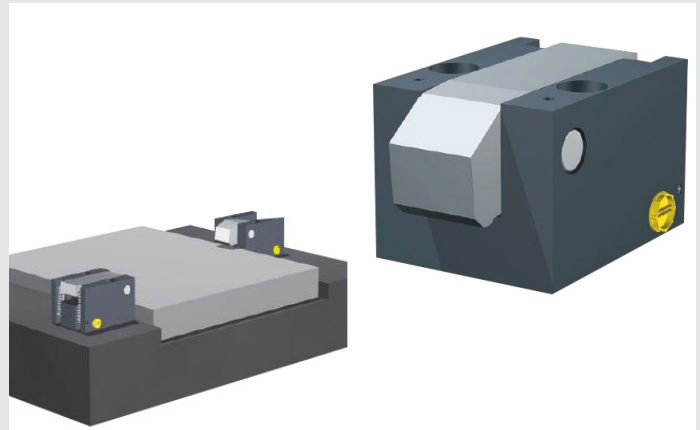


## Lever clamp BLH

Hydraulic clamping, mechanical release  
40-60 kN | 2 models

### Specifications

- Hydraulic lever clamp
- Mechanical release using 2 springs
- Manually inserted into the T slot or static
- Particularly narrow clamp
- Standard working temperature of up to 70 °C, 160 °C with Viton seals



static removable bolster ram hydraulic single-acting hydraulic double-acting mechanical automatic

BLH clamps are used to clamp flat edged dies. They can either be used on a stand in the press T slots, or directly screwed onto a block. The clamping force is provided by hydraulic pressure, the clamp is released by two traction springs. As this clamp is relatively low, it is easy to fit in narrow spaces.

### Specifications and dimensions

	BLH 40	BLH 60
clamping force (kN)	40	60
weight (kg)	6,4	9
oil volume (cm <sup>3</sup> )	7,8	11,3
max flow rate (l/min)	1	1
max. working pressure (bar)	300	300
A	110	130
B	84	102
C	60	74
D	61	81
E	72	88
G	36	46
H	22	35
I	130	154
J	M14	M16

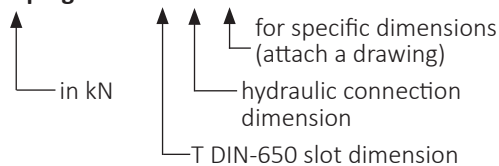
All dimensions are in millimeters.

**Hydraulic connection** : G1/4", UNF 9/16" available as an option

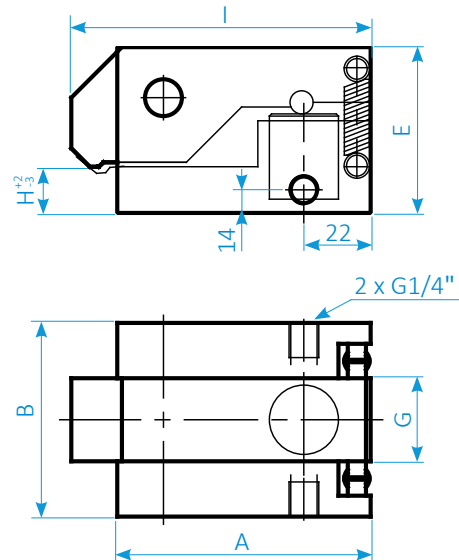
**Important information** : remember to indicate the required clamping height. The tolerance for the die height is +2 /-3 mm.

### Purchase order reference

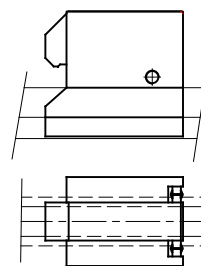
BLH - clamping force - T - Z - S



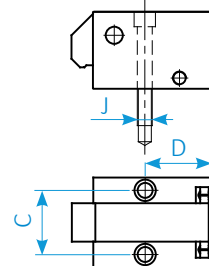
**Example** : BLH 40, BLH 40 T22



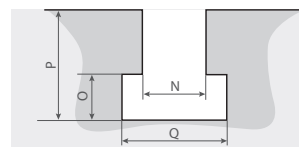
**Removable version**  
with T leg



**Static version**  
Cl 12.9 type screws



### DIN 650 T slot



N	18	22	24	28	36
O	12	16	18	20	25
P	30	38	42	48	60
Q	30	37	42	46	56

Available for DIN 650 T22 to T36 slots. Specific dimensions on request. Check actual dimensions.

SERAPID France  
+33 (0)2 32 06 35 60  
info-fr@serapid.com

SERAPID Deutschland GmbH  
+49 (0)7931 96 47-0  
info-de@serapid.com

SERAPID Ltd  
+44 (0)1359 233335  
info-uk@serapid.com

SERAPID INC.  
+1 586 274 0774  
info-us@serapid.com