

## CG / CGX

### Roller Cartridge



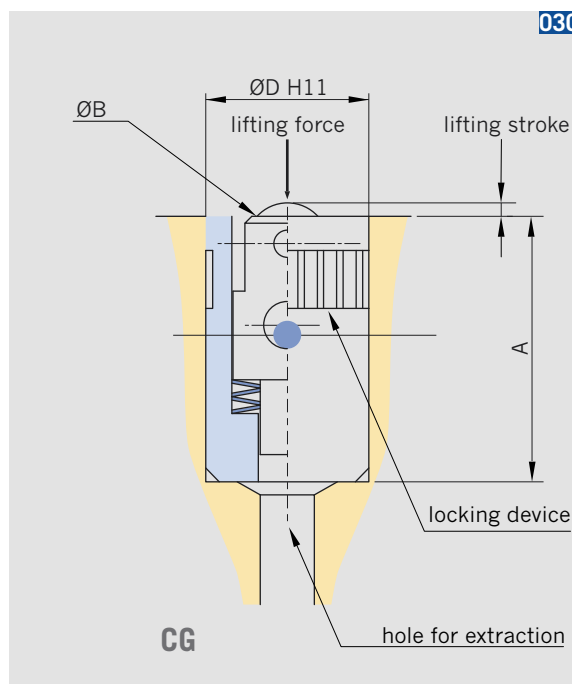
#### Features

- ▶ cartridges allow rolling fields of any size and shape
- ▶ embedded in the press bolster or die, they can be used when there are no T-slots available
- ▶ suitable mounting holes are machined into press bolster or die plate
- ▶ spring washer pack
- ▶ several sizes and capacities
- ▶ extended type CGX with 6 and 10 kN lifting force
- ▶ custom sizes and shapes by request
- ▶ operating temperature up to 130 °C

# CG / CGX

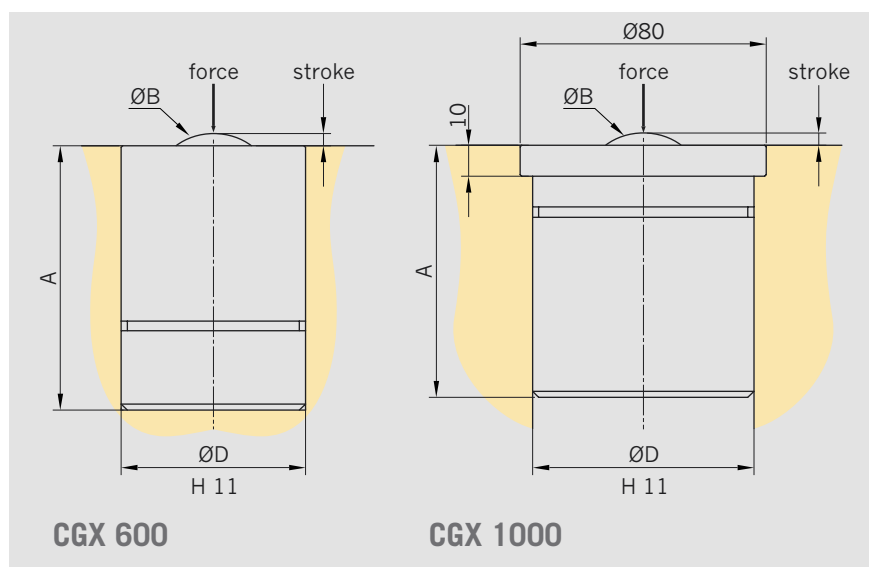
## Roller Cartridge

030-02 CG



### CG models: specifications and dimensions

	CG 50	CG 100	CG 16-100	CG 20-160
force [kN]	0.5	1	1	1.6
A	40	40	50	55
$\text{ØB}$	12	12	16	20
stroke	1	1	2	2
$\text{ØD}$	24	24	35	35



	CGX 600	CGX 1000
force [kN]	6	10
A	86	82
$\text{ØB}$	40	35
stroke	4	4
$\text{ØD}$	60	72

For the calculation of dynamic load per single roller, see data sheet 010-00.

### Ordering reference

CG 50 / 100 / 16-100 / 20-160

CGX 600 / 1000

Examples: CG 100, CGX 1000

SERAPID S.A.S. France  
 info-fr@serapid.com · www.serapid.fr

SERAPID Ltd UK  
 info-uk@serapid.com · www.serapid.com