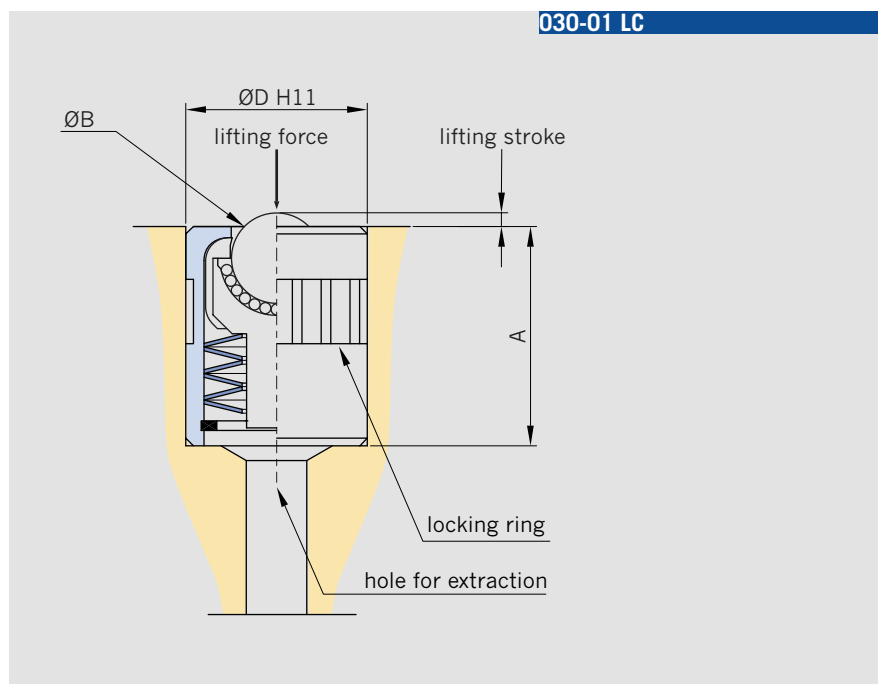


LC**Ball Cartridge****Features**

- ▶ cartridges allow rolling fields of any size and shape
- ▶ embedded in the press bolster or the die, can be used when there are no T-slots available
- ▶ suitable mounting holes are machined into press bolster or die plate
- ▶ spring washer pack
- ▶ several sizes and capacities
- ▶ custom sizes and shapes by request
- ▶ operating temperature up to 160 °C

LC**Ball Cartridge****LC models:
specifications and dimensions**

	LC 30	LC 60	LC 100	LC 16-60	LC 16-100
force [kN]	0.3	0.6	1	0.6	1
A	29	29	29	34	34
ØB	12	12	12	16	16
stroke	1	1	1	2	3
ØD	24	24	24	35	35

For the calculation of dynamic load per single ball, see data sheet 010-00.

Ordering reference

LC 30 / 60 / 100

LC 16-60 / 100

Examples: LC 60, LC 16-100

SERAPID S.A.S. France
info-fr@serapid.com · www.serapid.fr

SERAPID Ltd UK
info-uk@serapid.com · www.serapid.com